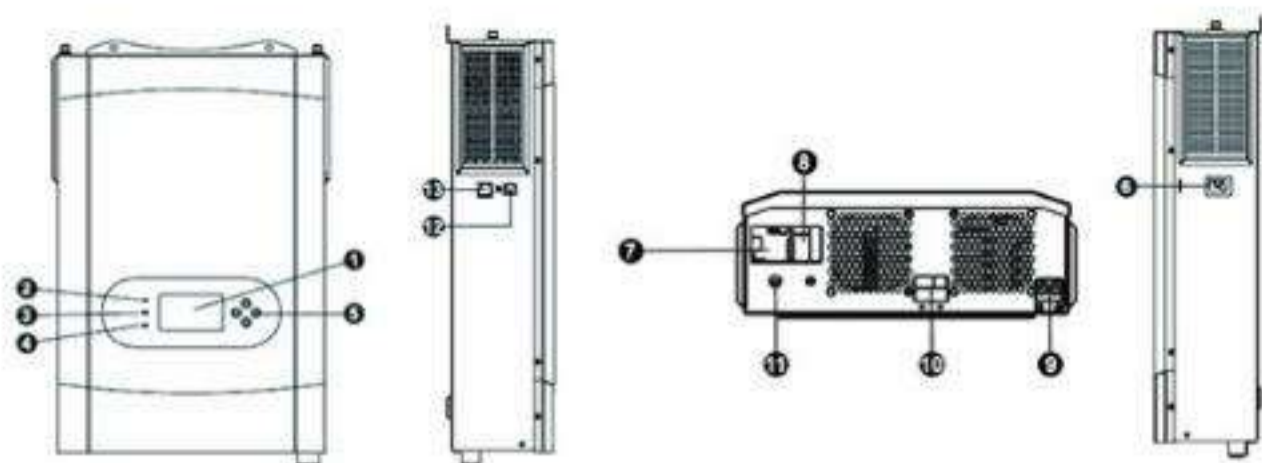
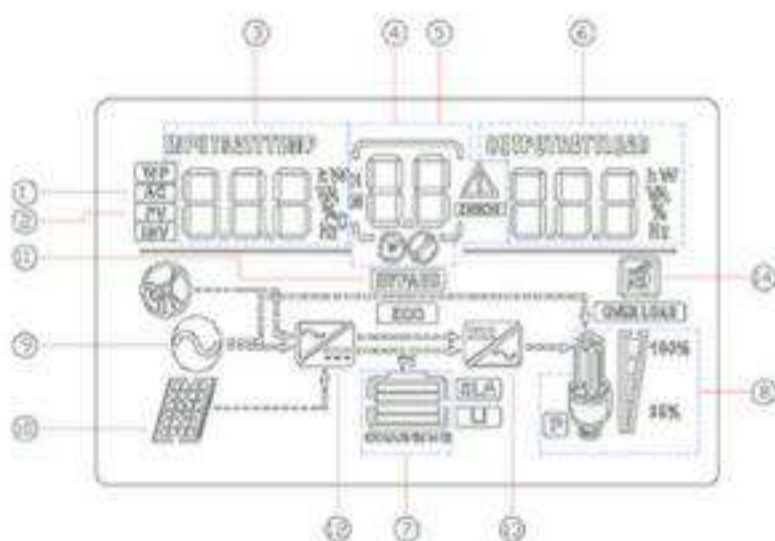


LCD DISPLAY INFORMATION



- | | | | |
|------------------------------|------------------------|-----------------------|----------------------------|
| 1. LCD display | 2. Status indicator | 3. Charging indicator | 4. Fault indicator |
| 5. Function buttons | 6. Power on/off switch | 7. AC input | 8. AC output |
| 9. PV input | 10. Battery input | 11. Circuit breaker | 12. USB communication port |
| 13. RS232 communication port | | | |

DISPLAY SCREEN



1. Indicates the AC input
2. Indicates the PV input
3. Indicates input voltage, input frequency, PV voltage, charger current, charger power, battery voltage
4. Indicates the setting programs
5. Indicates the warning and fault codes
6. Indicate output voltage, output frequency, load percent, load in VA, load in watt and discharging current
7. Indicates battery level by 0-24%, 25-49%, 50-74% and 75-100% in battery mode and charging status in line mode
8. Indicates the load level by 0-24%, 25-49%, 50-74% and 75-100%
9. Indicates unit connects to the mains
10. Indicates unit connects to the PV panes
11. Indicates load is supplied by utility power
12. Indicates the utility charger circuit is working
13. Indicates the DC-AC inverter circuit is working
14. Indicates unit alarm is disabled

LED DISPLAY



- 1 Green: Output is powered by utility in line mode (Solid on), Output is powered by battery or PV in battery mode (Flashing).
- 2 Green: Battery is fully charged (Solid on), Battery is charging (Flashing).
- 3 Red: Fault occurs in the inverter (Solid on), Warning condition occurs in the inverter (Flashing).

TECHNICAL PARAMETERS

MODEL	SUNON 3KW	SUNON 5KW	
Rated Power	3KVA/3KW	5KVA/5KW	
PV INPUT (DC)			
Max. PV Array Power	4000 W		
Nominal PV Voltage	240VDC		
PV Array MPPT Voltage Range	120V-450VDC		
Max. PV Array Open Circuit Voltage	500VDC		
Max.Charging Current(AC + solar)	80Amp		
AC INPUT(AC)			
Nominal Input Voltage	230VAC		
Low Loss Voltage	170VAC±7V(UPS);90VAC±7V(Appliances)		
Low Loss Return Voltage	180VAC±7V(UPS);100VAC±7V(Appliances)		
High Loss Voltage	280VAC±7V		
High Loss Return Voltage	270VAC±7V		
Max. AC Input Voltage	300VAC		
Nominal Input Frequency	50Hz/60Hz (Auto detection)		
Transfer Time	10ms typical(UPS);20ms typical(Appliances)		
BATTERY MODE OUTPUT (AC)			
Nominal Output Power	3KVA/3KW	5KVA/5KW	
Surge Power	6000VA	10000VA	
Nominal Output Voltage	230VAC±5%		
Output Waveform	Pure Sinewave		
Efficiency (DC to AC)(Peak)	93%		
UTILITY CHARGER			
Nominal DC Voltage	24VDC	48VDC	
Maximum Charging Current	60Amp		
Bulk Charging Voltage	Flooded Battery	29.2VDC	58.4VDC
	AGM/Gel Battery	28.2VDC	56.4VDC
Floating Charging Voltage	27VDC	54VDC	
OverCharge Protection	33VDC	63VDC	
PHYSICAL			
Dimension, D X W X H (mm)	100 x 300 x 440mm		
Net Weight (kgs)	9	10	
Communication Port	RS-232/USB		
ENVIRONMENT			
Humidity	5 - 95% RH (Non condensing)		
Operating Temperature	-10 to 55°C		
Altitude	0 - 1000 m		